



HYDRAULISCHE ANLAGE KRANKABINE
HYDRAULIC SYSTEM FOR FOR CRANE OPERATOR'S CAB

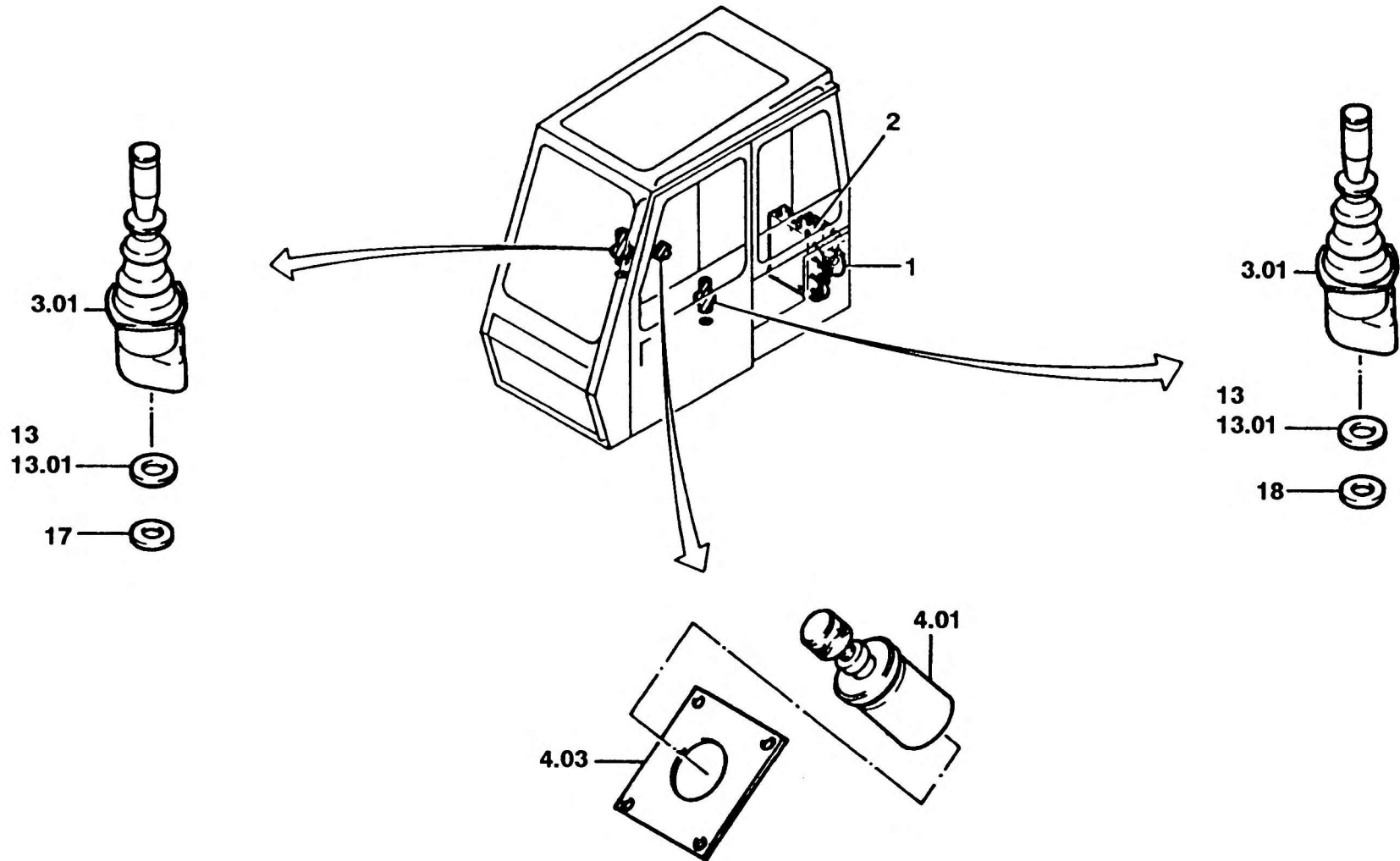
BILDТАFЕL
PICTORIAL DISPLAY

09.91

2223374-ETL B

1/1

KMK 4080
BE 630
G 786



A10_156